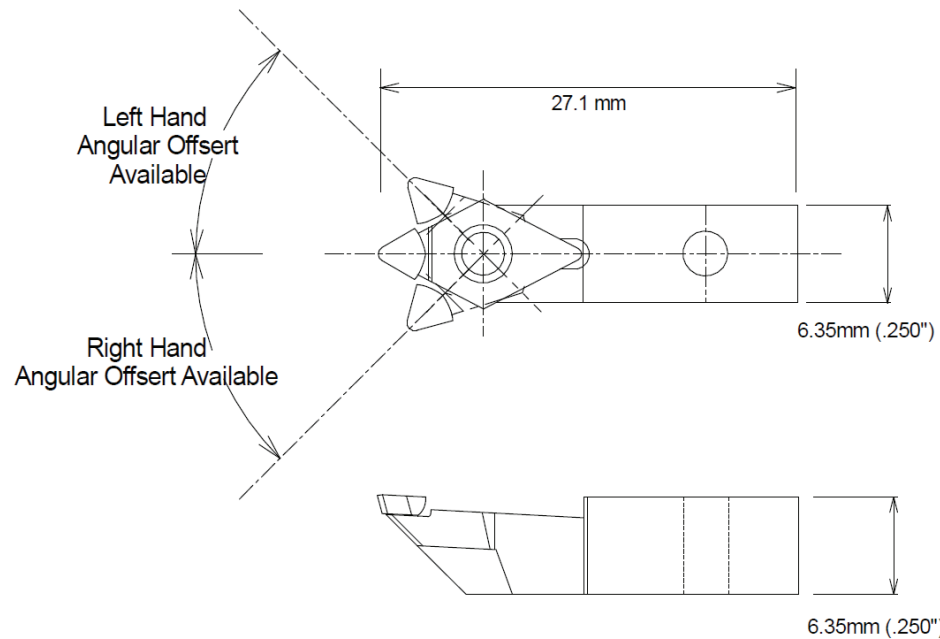


## TOOL HOLDERS FOR ULTRASONIC AND FAST TOOL SERVO MACHINING INSERT BASE VCGW 110302 (CARBIDE)



Insert Holders are provided in light weight Titanium for dynamic servo response.