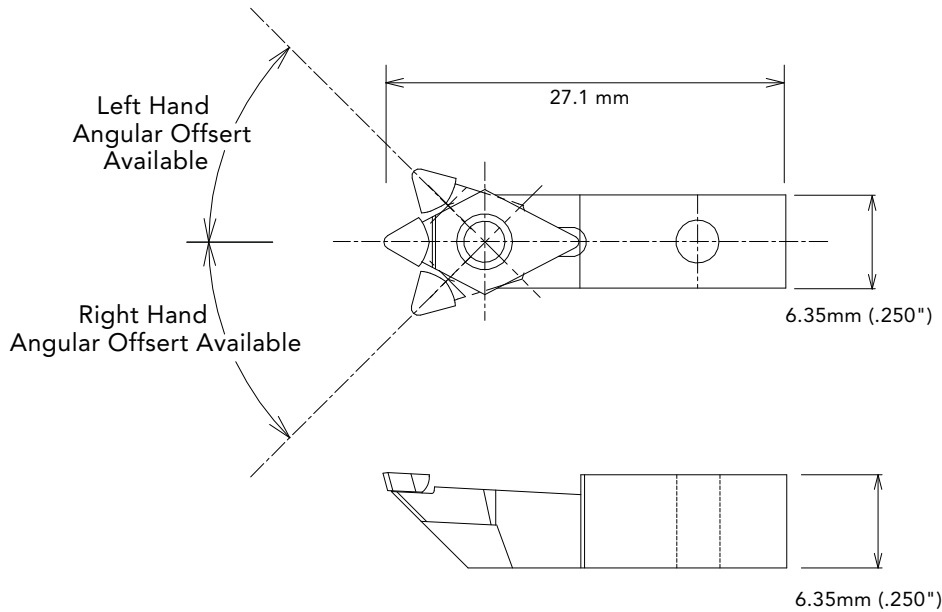




<p>THIS DOCUMENT AND ANY INFORMATION OR DESCRIPTIVE MATTER CONTAINED THEREIN IS COMMUNICATED IN CONFIDENCE AND IS THE COPYRIGHT PROPERTY OF CONTOUR FINE TOOLING. NEITHER THE WHOLE NOR ANY EXTRACT MAY BE DISCLOSED, LOANED, COPIED OR USED FOR MANUFACTURING OR TENDERING WITHOUT THEIR WRITTEN CONSENT.</p>	<p>TITLE 15° Left Hand Offset Titanium Toolholder High Clearance 55° Insert</p>	<p>DRAWING NO. CS2083</p>
--	--	--



ISSUE
CHANGE
DATE
DRAWN

NOTE: Insert dimensions as drawing CS2040

DIAMOND TYPE	N/A	
RADIUS	N/A	
FRONT CLEARANCE	N/A	
RAKE ANGLE	N/A	
SHANK	Titanium	
BRAZE	N/A	
GENERAL TOLERANCE		SHANK ONLY
LINEAR +/- 0.1 ANGULAR +/- 0.5		ENGRAVE: CS2083
DIMENSIONS IN MILLIMETRES		

